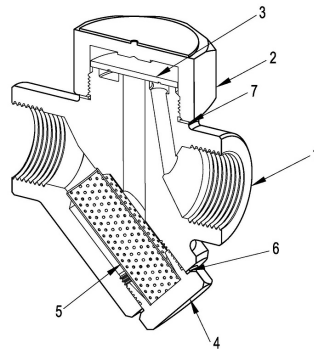
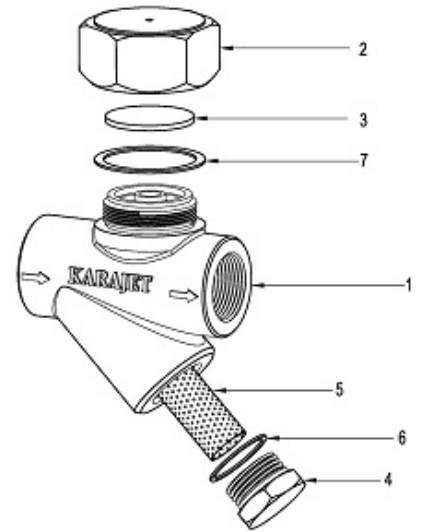


TD42-Flanged



TD42-Screwed



Description

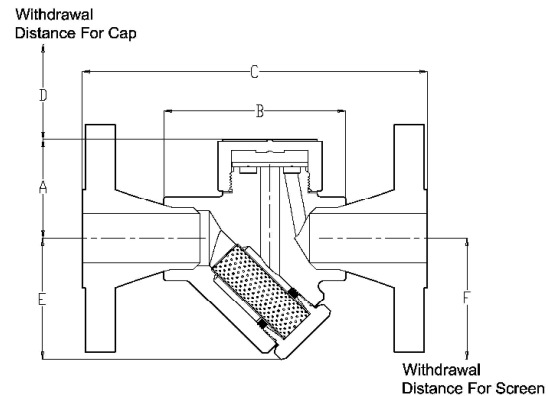
TD42 is a medium capacity thermodynamic steam trap. These horizontal /vertical traps are easy to maintain.

Material

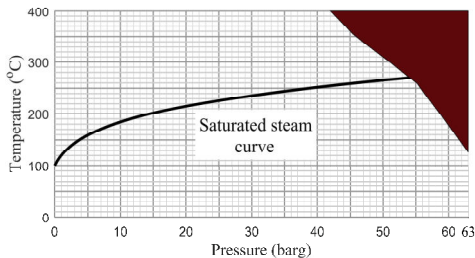
NO	1	2	3	4	5	6	7	8
Part	Body	Cap	Disc	Strainer cap	Strainer screen	Strainer Cap Gasket	Cap Gasket	Flange
Material	A105/ A182 F304	A105/ AISI416	BS 1449 420	A105/AISI 416	SS304	SS304	SS304	A105

Dimensions / weights (approximate) in mm and kg

Size	A	B	C		D	E	F	Weight		
			#150	#300				Screwed	#150	#300
1" / 2"	47	90	160	170	41	60	100	1.2	2.1	2.6
3" / 4"	47	90	172	182	41	60	100	1.1	2.5	3.6
1"	53	96	182	192	41	60	100	1.9	3.9	5

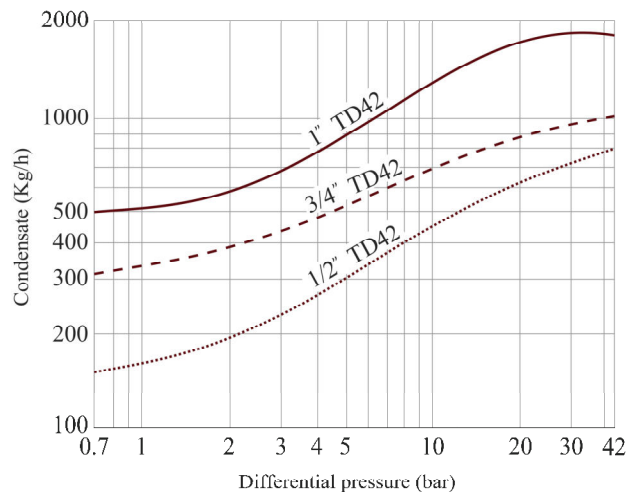


Pressure / temperature limits



Body design conditions	PN63
PMA (Max. allowable pressure)	63 barg @ 125°C
TMA (Max. allowable temp.)	400 °C @ 42barg
Max. cold hydraulic test pressure	95 barg

Capacities



Available spares

Disc
Strainer screen
Gaskets