

## Steam Trap

### Description:

The KARAJET TD62 is a Alloy Steel maintainable high pressure thermodynamic steam trap with an integral strainer and a replaceable seat for ease of maintenance.

### Size and Pipe Connections:

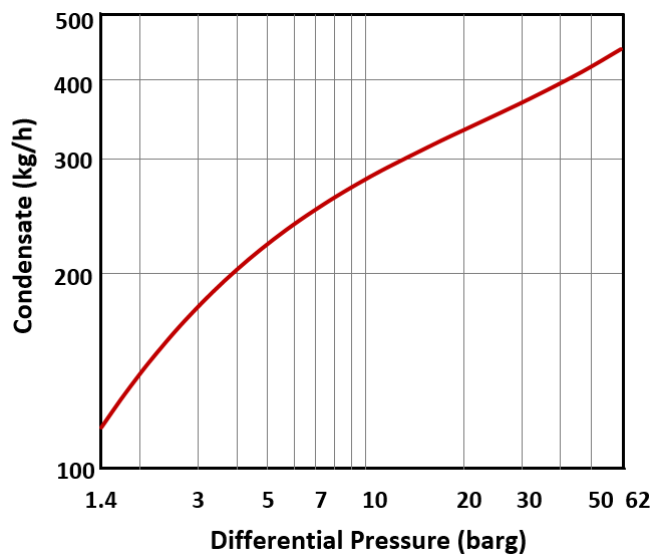
DN15 to DN25  
Screwed BSPT/NPT/BSP and Socket Weld ends.  
Available with Class 300, 600 Flanges.  
Other sizes are available for flanged connection by request.

### Material and Options:

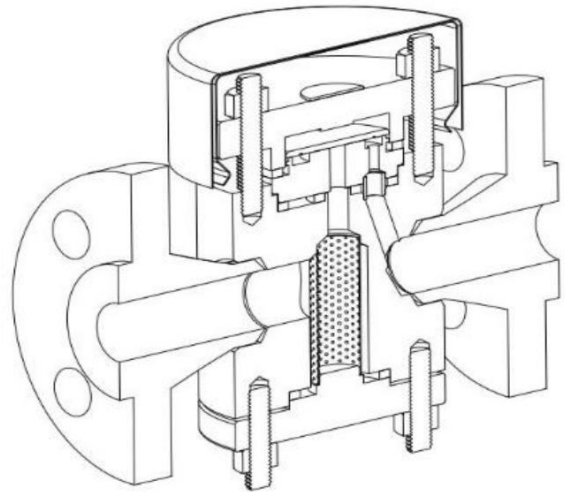
Other body materials such as Carbon Steel A105 are available.

KD62 can be equipped with an optional bimetal air ring in order to have quicker air venting.

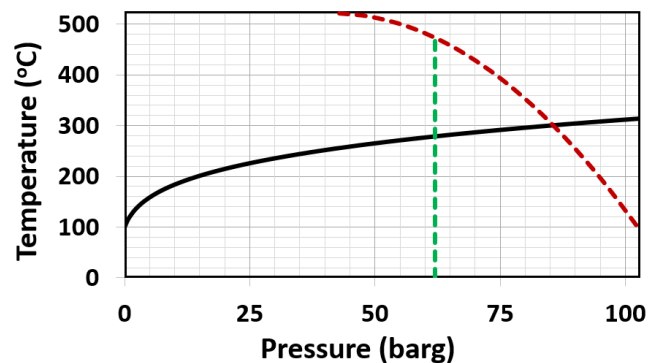
### Capacity Curve:



Recommended Safety Factor: 1.5



### Limiting Conditions:



- Saturated Steam Curve
- - - This product should not be used at right side of this line
- - - This product must not be used above this line

Body Design Conditions	ANSI 600
PMA (Max. Allowable Pressure)	103 barg @ 93 °C
TMA (Max. Allowable Temp.)	525 °C @ 42 barg
PMO (Max. Operating Pressure)	62 barg @ 482 °C
TMO (Max. Operating Temp.)	525 °C @ 42 barg
Max. Cold Hydro Test Pressure	155 barg

PMOB-Max. Operating Back Pressure on outlet should not exceed 80% of inlet pressure.

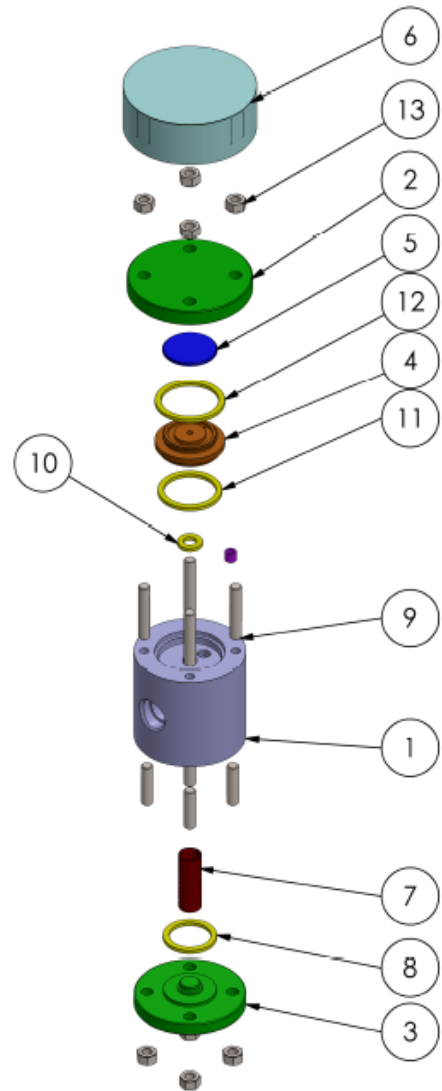
## Steam Trap

### Material:

No.	Part	Material
1	Body	A182 F11/F12
2	Cover	A182 F11/F12
3	Strainer Cap	A182 F11/F12
4	Seat	SS 420
5	Disk	SS 420
6	Insulating Cover	SS304 / SS316
7	Strainer Screen	SS304 / SS316
8	Cap Gasket	Spiral Wound
9	Cover Studs	Stainless Steel
10, 11	Seat Gasket	SS304 / SS316
12	Cover Gasket	SS304 / SS316
13	Cover Nuts	Stainless Steel

### Spare Part List:

No.	Part No.	Part
1	4, 5	Seat and Disk
2	7	Strainer screen
3	8, 10, 11, 12	Gaskets



### Dimensions (mm):

Size	A		B	C	D	Approx. Weight (kg)		
	#300	#600				SW	#300	#600
1/2"	180	190	88	72	100	7	8.5	8.8
3/4"	185	192	88	72	100	7	9.5	10
1"	195	205	88	72	100	7	10	10.5

