

Steam Trap

Description:

The KARAJET SM32 is a carbon steel medium pressure bimetallic thermostatic steam trap with an integral strainer and a replaceable seat for ease of maintenance. Typical applications include steam main lines and tracing lines etc.

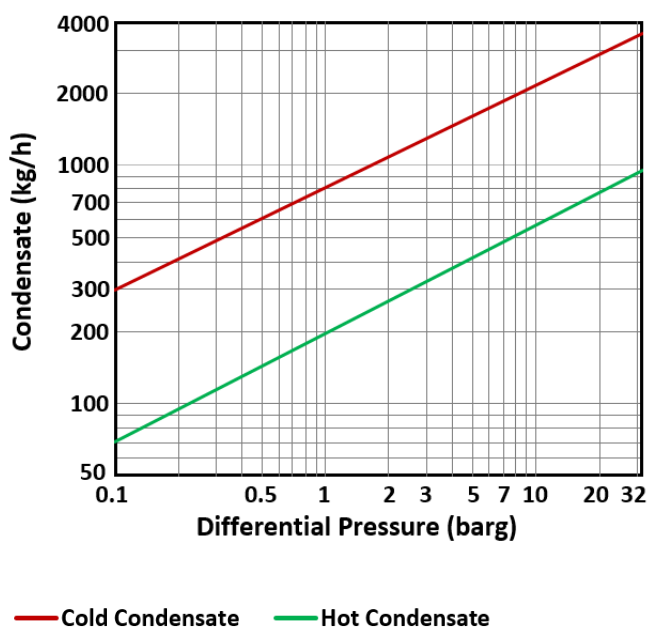
Size and Pipe Connections:

DN15 to DN25
Screwed BSPT/NPT/BSP and Socket Weld ends.
Available with Class 150 and 300 flanges.
Other sizes are available for flanged connection by request.

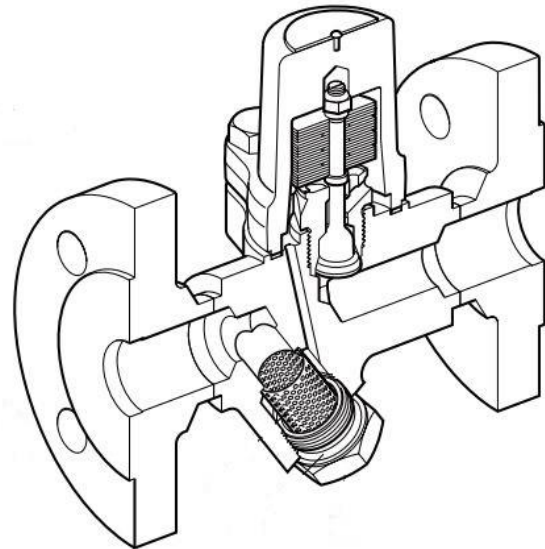
Material and Options:

Other body materials such as Stainless Steel A743CA40 / A743CA40F are available.

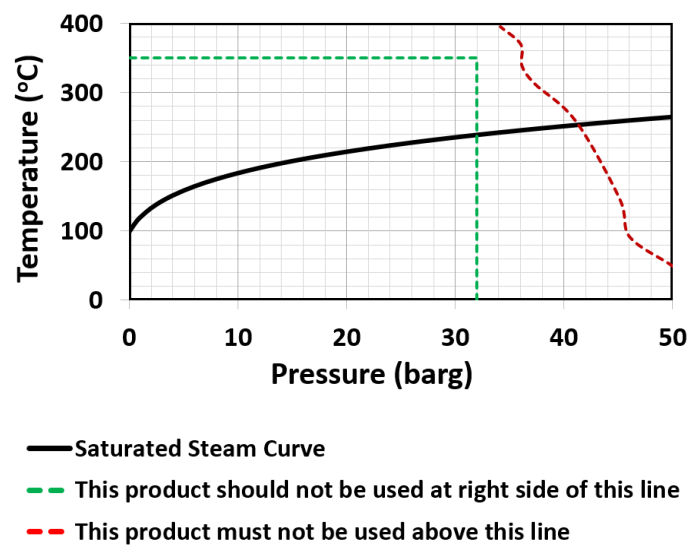
Capacity Curve:



Recommended Safety Factor: 1.5



Limiting Conditions:



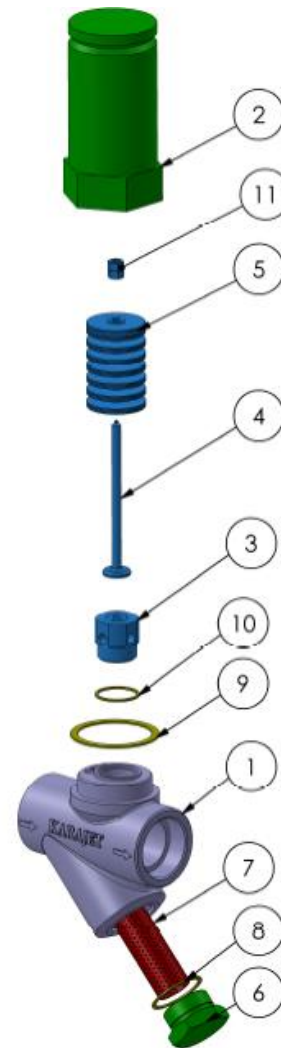
Pressure Rating	#150	#300	PN63 (Body)
PMA (Max. Allowable Pressure)		50 barg @ 50 °C	
TMA (Max. Allowable Temperature)		400 °C @ 35 barg	
PMO (Max. Operating Pressure)		32 barg @ 350 °C	
TMO (Max. Operating Temperature)		350°C @ 32 barg	
Max. Cold Hydro Test Pressure	30 barg	77 barg	95 barg

Material:

No.	Part	Material
1	Body	CS A105
2	Cap	CS A105
3	Seat	SS304 / SS316
4	Valve	SS304 / SS316
5	Thermostatic Element	Bimetal
6	Strainer Cap	CS A105
7	Strainer Screen	SS304 / SS316
8	Strainer Cap Gasket	SS304 / SS316
9	Cap Gasket	SS304 / SS316
10	Seat Gasket	SS304 / SS316
11	Locking Nut	Stainless Steel

Spare Part List:

No.	Part No.	Part
1	7	Strainer screen
2	8, 9, 10	Gaskets
3	6	Strainer cap
4	3, 4	Valve & Seat



Dimensions (mm):

Size	A		B	C	D	Approx. Weight (kg)		
	#150	#300				SW	#150	#300
½"	166	176	96	66	145	1.5	2.3	2.8
¾"	178	188	96	66	145	1.3	2.7	3.8
1"	182	192	96	66	145	2.1	4.1	5.2

