

Description

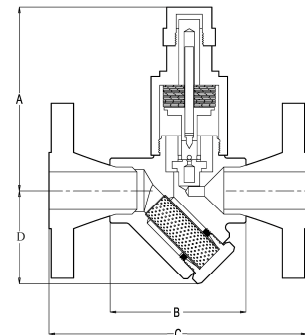
Thermostatic bimetallic steam traps are made of carbon steel. A built in strainer is installed on these traps. These steam traps operate with no loss of steam and quickly drain non-condensable gases. These horizontal/vertical traps are easy to maintain.

Material

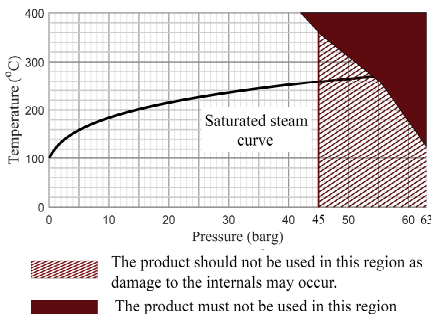
NO	1	2	3	4	5	6
Part	Body	Cap	Bimetal	Strainer cap	Strainer screen	Strainer Cap Gasket
Material	A105/ A182 F304	A105/ AISI416	Stainless steel	A105/AISI 416	SS304	SS304

Dimensions / weights (approximate) in mm and kg

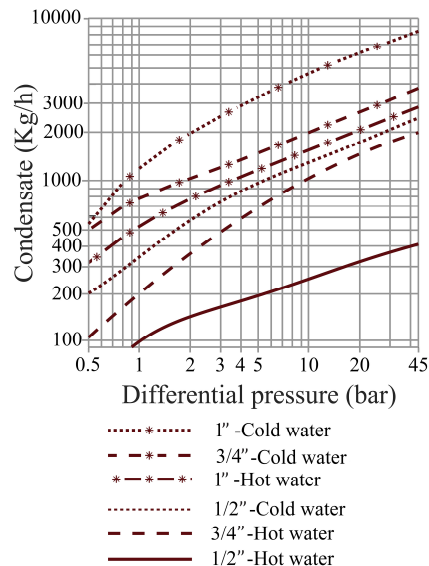
Size	A	B	C		D	Weight		
			#150	#300		Screwed	#150	#300
1" / 2"	87	90	160	170	60	1.5	2.3	2.8
3" / 4"	87	90	172	182	60	1.3	2.7	3.8
1"	93	96	182	192	60	2.1	4.1	5.2



Pressure / temperature limits



Capacities



Available spares

- Bimetal
- Strainer screen
- Gaskets

Body design conditions	PN63
PMA (Max. allowable pressure)	63 barg @ 125°C
TMA (Max. allowable temp.)	400 °C @ 42barg
Max. cold hydraulic test pressure	95 barg