

Steam Trap

Description:

The KARAJET TD42R is an inline repairable carbon steel thermodynamic steam trap with an integral strainer for ease of maintenance.

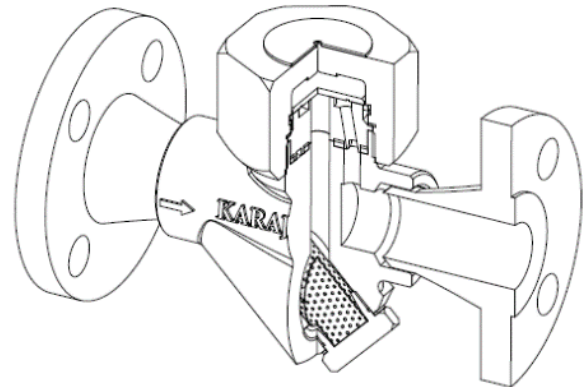
Size and Pipe Connections:

DN15 to DN25
Screwed BSPT/NPT/BSP and Socket Weld ends.
Available with Class 150, 300 and 600 Flanges.
Other sizes are available for flanged connection by request.

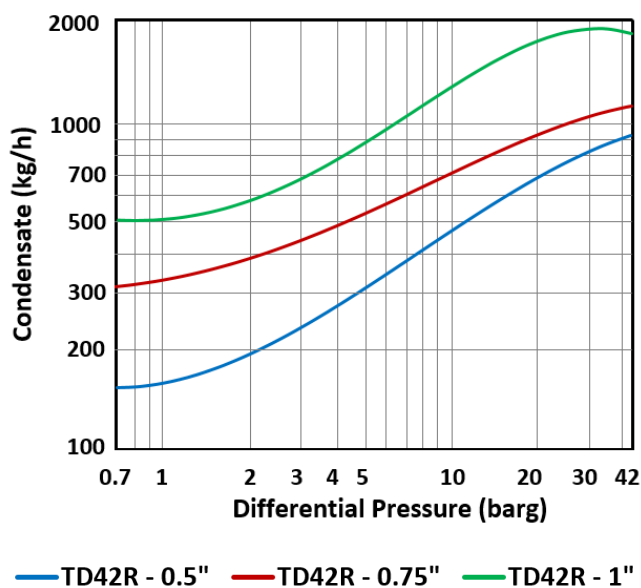
Material and Options:

Other body materials such as Stainless Steel A743CA40 / A743CA40F are available.

TD42R can be equipped with an optional bimetal air ring in order to have quicker air venting and can be manufactured with replaceable seat.

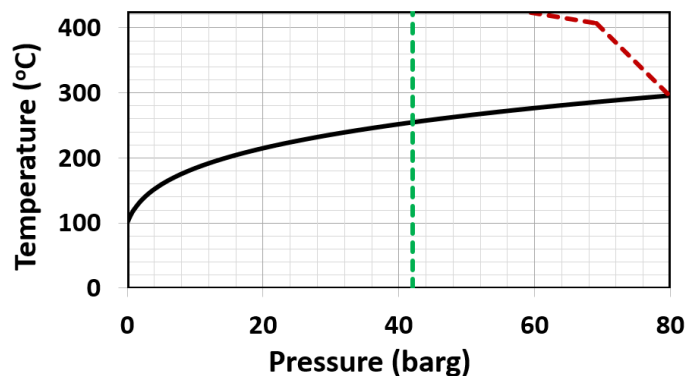


Capacity Curve:



Recommended Safety Factor: 1.5

Limiting Conditions:



- Saturated Steam Curve
- - - This product should not be used at right side of this line
- - - This product must not be used above this line

Body Design Conditions	PN100
PMA (Max. Allowable Pressure)	80 barg @ 300 °C
TMA (Max. Allowable Temperature)	425 °C @ 57 barg
PMO (Max. Operating Pressure)	42 barg @ 425 °C
TMO (Max. Operating Temperature)	425 °C @ 42 barg
Max. Cold Hydro Test Pressure	155 barg

PMOB-Max. Operating Back Pressure on outlet should not exceed 80% of inlet pressure.

Min. Operating Pressure for satisfactory operation: 0.5 barg.

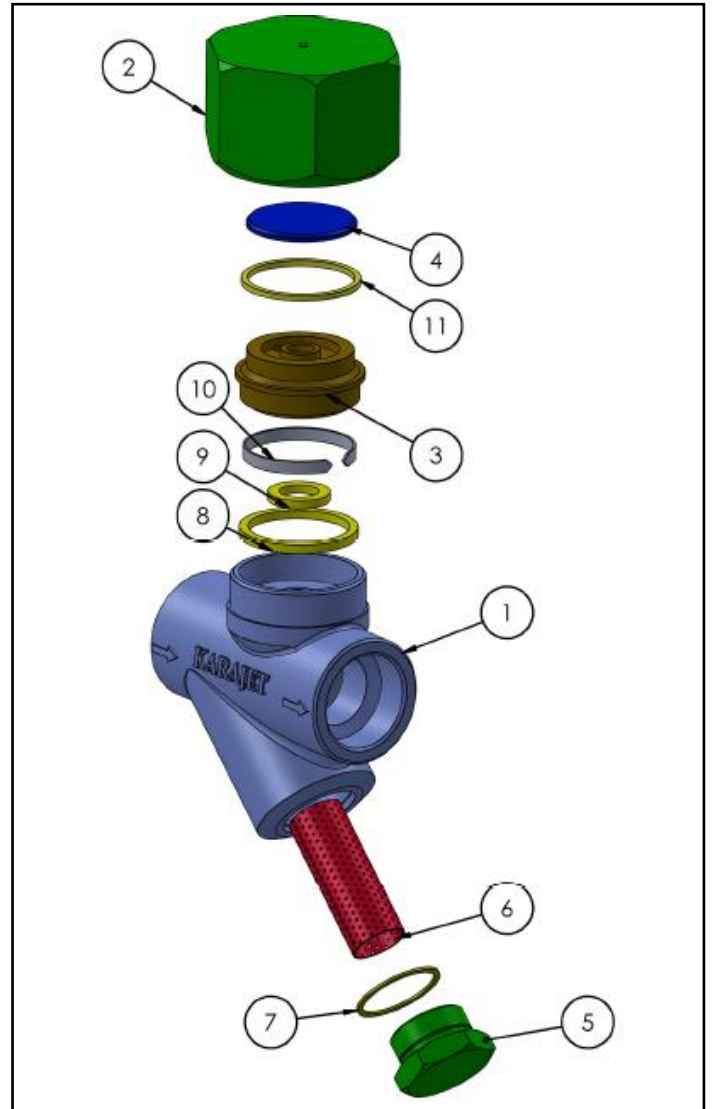
Material:

No.	Part	Material
1	Body	CS A105
2	Cap	CS A105
3	Replaceable Seat *	SS 420
4	Disk	SS 420
5	Strainer Cap	CS A105
6	Strainer Screen	SS304 / SS316
7	Strainer Cap Gasket	SS304 / SS316
8, 9	Seat Gaskets *	SS304 / SS316
10	Air Ring *	Bimetal
11	Cap Gasket	SS304 / SS316

*Optional

Spare Part List:

No.	Part No.	Part
1	3, 4	Seat and Disc
2	6	Strainer screen
3	5	Strainer cap
4	7, 8, 9, 11	Gaskets



Dimensions (mm):

Size	A	B			C	D	Approx. Weight (kg)			
		#150	#300	#600			SW	#150	#300	#600
½"	96	173	183	198	66	53	2	3.3	4.1	4.7
¾"	96	178	188	203	66	53	1.9	3.6	4.5	5.1
1"	96	182	192	208	66	53	1.9	3.9	5	5.6

