

#### Description:

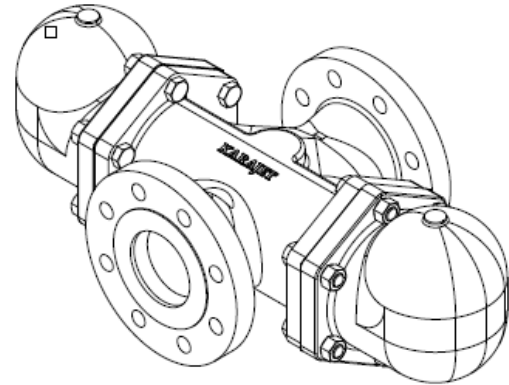
The KARAJET FT44-D is a carbon steel medium pressure mechanical steam trap with an integral strainer and thermostatic air vent for very high capacity applications.

#### Size and Pipe Connections:

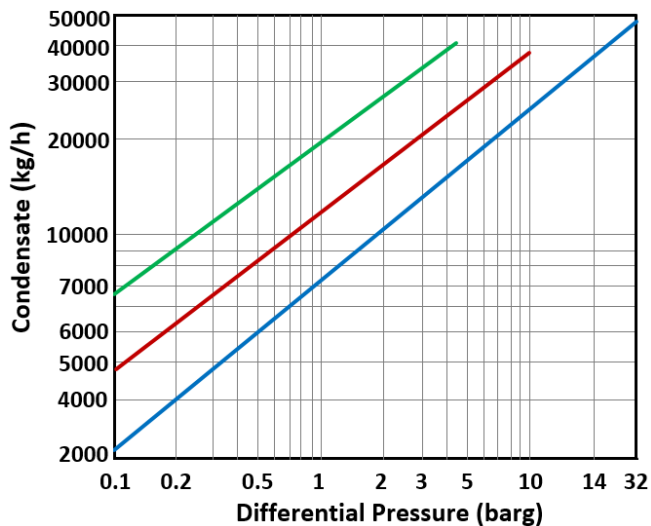
DN50 to DN100  
Available with Class 150 and 300 Flange ends.  
Other sizes are available for flanged connection by request.

#### Material:

Other body materials such as Cast Iron (PN 16) and Stainless Steel A351-CF8 are available.



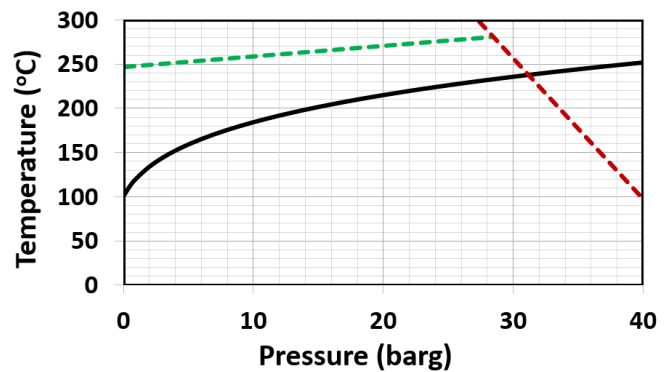
#### Capacity Curve:



— FT44D - 4.5    — FT44D - 10    — FT44D - 21, 32

Recommended Safety Factor: 1.5

#### Limiting Conditions:



— Saturated Steam Curve

--- This product should not be used above this line

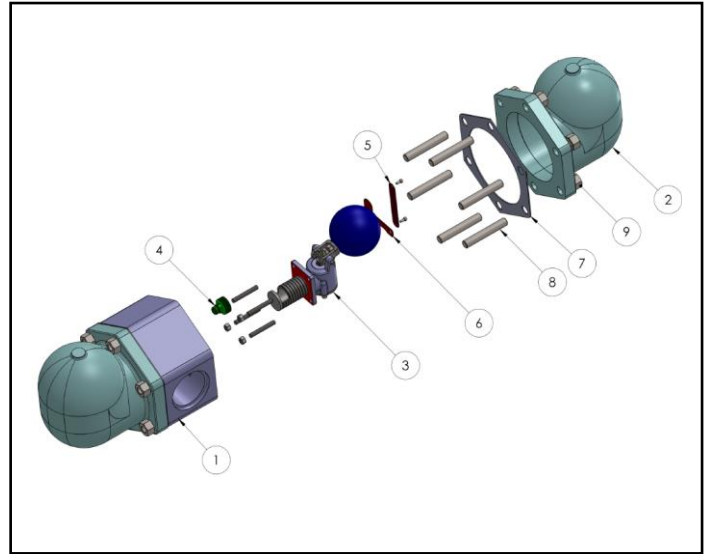
--- This product must not be used above this line

For #150 the Pressure/Temperature ratings is limited by flange class.

Flange Class	#150	#300
Body Design Conditions	PN40	PN40
PMA (Max. Allowable Pressure)	19.3 barg @ 37.8°C	40 barg @ 100 °C
TMA (Max. Allowable Temperature)	300 °C @ 10barg	300 °C @ 27.5 barg
PMO (Max. Operating Pressure)	13.8 barg @ 197.2°C	32 barg @ 239 °C
TMO (Max. Operating Temperature)	263.7 °C @ 11.3barg	285 °C @ 28.5barg
Max. Cold Hydro Test Pressure	27 barg	60 barg

#### Material:

No.	Part	Material
1	Body	CS A105
2	Cover	CS A216 WCB
3	Valve Assembly	SS304 / SS316
4	Air Vent Assembly	Bimetal - SS304
5	Strainer Screen	SS304 / SS316
6	Damper	SS304 / SS316
7	Cover Gasket	Reinforced Graphite
8	Cover Studs	Carbon Steel
9	Cover Nuts	Carbon Steel



#### Spare Part List:

No.	Part No.	Part
1	3	Main Valve Assembly
2	4	Air Vent Assembly
3	7	Gaskets

#### Dimensions (mm):

Size	A (#150)	A (#300)	B	C	D	E	F	Approx. Weight (kg)
3"	343	362	266	266	124	138	532	72
4"	350	366	266	266	124	138	532	74

