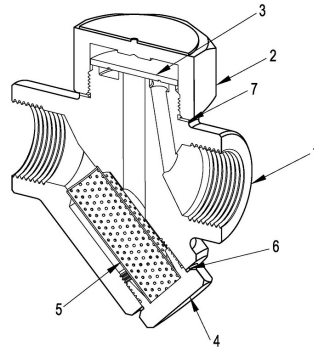
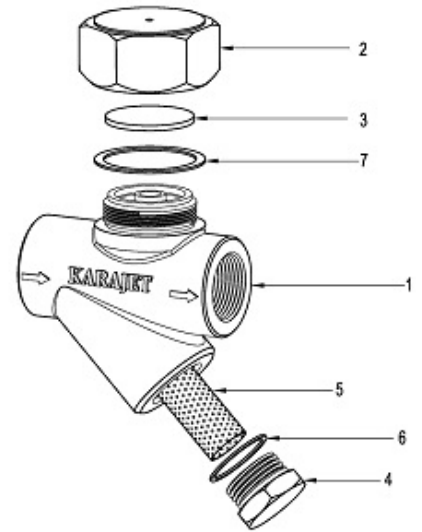


TD42-Flanged



TD42-Screwed



Description

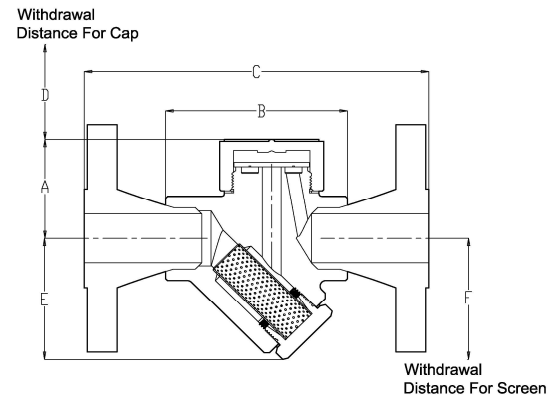
TD42 is a medium capacity thermodynamic steam trap. These horizontal /vertical traps are easy to maintain.

Material

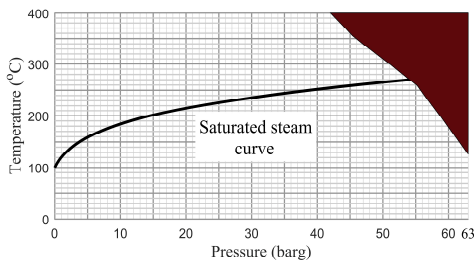
| NO | 1 | 2 | 3 | 4 | 5 | 6 | 7 | 8 |
|----------|-----------------|---------------|-------------|---------------|-----------------|---------------------|------------|--------|
| Part | Body | Cap | Disc | Strainer cap | Strainer screen | Strainer Cap Gasket | Cap Gasket | Flange |
| Material | A105/ A182 F304 | A105/ AISI416 | BS 1449 420 | A105/AISI 416 | SS304 | SS304 | SS304 | A105 |

Dimensions / weights (approximate) in mm and kg

| Size | A | B | C | | D | E | F | Weight | | |
|---------|----|----|------|------|----|----|-----|---------|------|------|
| | | | #150 | #300 | | | | Screwed | #150 | #300 |
| 1" / 2" | 47 | 90 | 160 | 170 | 41 | 60 | 100 | 1.2 | 2.1 | 2.6 |
| 3" / 4" | 47 | 90 | 172 | 182 | 41 | 60 | 100 | 1.1 | 2.5 | 3.6 |
| 1" | 53 | 96 | 182 | 192 | 41 | 60 | 100 | 1.9 | 3.9 | 5 |



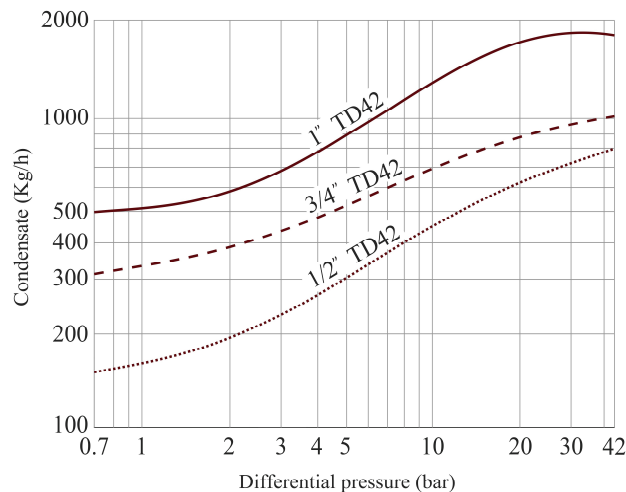
Pressure / temperature limits



The product must not be used in this region

| | |
|-----------------------------------|-----------------|
| Body design conditions | PN63 |
| PMA (Max. allowable pressure) | 63 barg @ 125°C |
| TMA (Max. allowable temp.) | 400 °C @ 42barg |
| Max. cold hydraulic test pressure | 95 barg |

Capacities



Available spares

| |
|-----------------|
| Disc |
| Strainer screen |
| Gaskets |