

## Steam Trap

### Description:

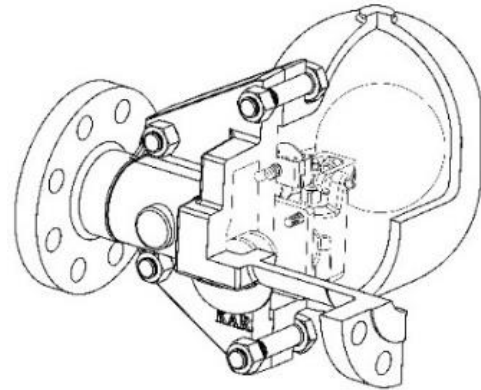
The KARAJET FT44 is a Carbon steel medium pressure mechanical steam trap with an integral strainer and thermostatic air vent. Their main features is compactness with high condensate capacity.

### Size and Pipe Connections:

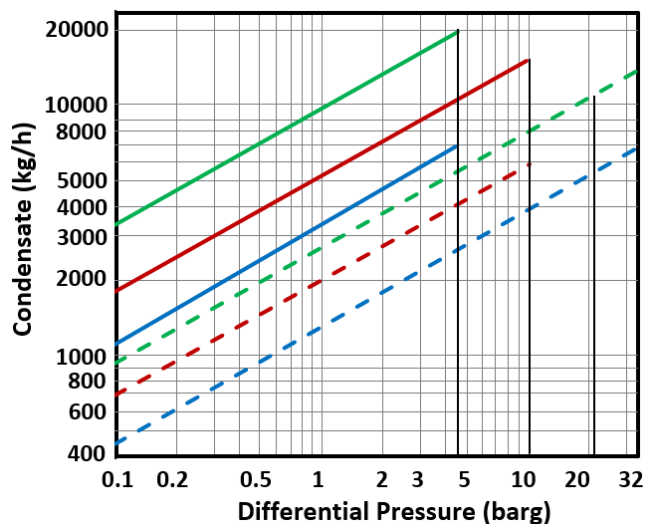
DN40 and DN50  
Screwed BSPT/NPT/BSP and Socket Weld ends.  
Available with Class 150, 300 Flanges.  
Other sizes are available for flanged connection by request.

### Material:

Other body materials such as Cast Iron (PN 16) and Stainless Steel A351-CF8 are available.



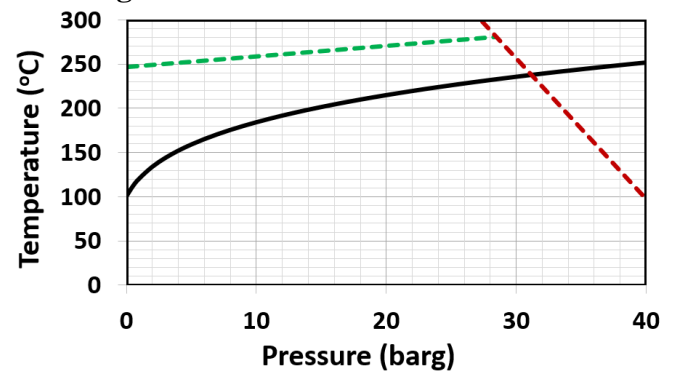
### Capacity Curve:



- FT44 - 4.5 - 2"      - FT44 - 21 - 2" and FT44 - 32 - 2"
- FT44 - 10 - 2"      - FT44 - 10 - 1.5"
- FT44 - 4.5 - 1.5"    - FT44 - 21 - 1.5" and FT44 - 32 - 1.5"

Recommended Safety Factor: 1.5

### Limiting Conditions:



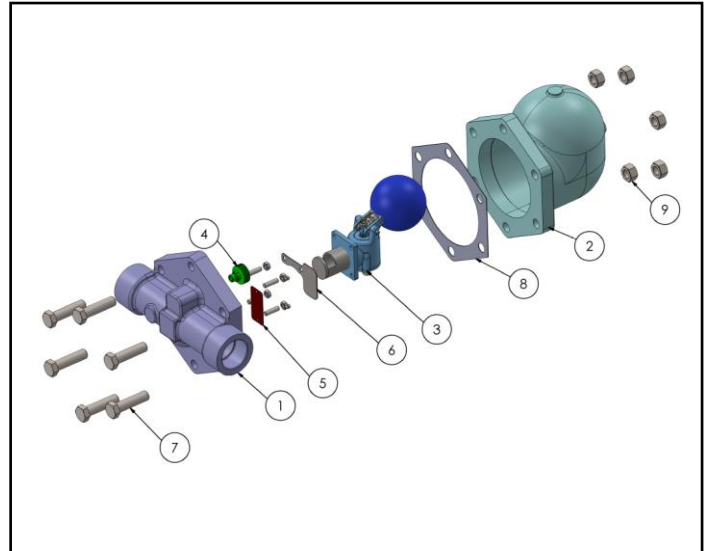
- Saturated Steam Curve
- - - This product should not be used above this line
- - - This product must not be used above this line

For #150 the Pressure/Temperature ratings is limited by flange class.

| Flange Class                     | #150                | #300               |
|----------------------------------|---------------------|--------------------|
| Body Design Conditions           | PN40                | PN40               |
| PMA (Max. Allowable Pressure)    | 19.3 barg @ 37.8°C  | 40 barg @ 100 °C   |
| TMA (Max. Allowable Temperature) | 300 °C @ 10barg     | 300 °C @ 27.5 barg |
| PMO (Max. Operating Pressure)    | 13.8 barg @ 197.2°C | 32 barg @ 239 °C   |
| TMO (Max. Operating Temperature) | 263.7 °C @ 11.3barg | 285 °C @ 28.5barg  |
| Max. Cold Hydro Test Pressure    | 27 barg             | 60 barg            |

#### Material:

| No. | Part              | Material            |
|-----|-------------------|---------------------|
| 1   | Body              | CS A216 WCB         |
| 2   | Cover             | CS A216 WCB         |
| 3   | Valve Assembly    | SS304 / SS316       |
| 4   | Air Vent Assembly | Bimetal - SS304     |
| 5   | Strainer Screen   | SS304 / SS316       |
| 6   | Damper            | SS304 / SS316       |
| 7   | Cover Bolts       | Carbon Steel        |
| 8   | Cover Gasket      | Reinforced Graphite |
| 9   | Cover Nuts        | Carbon Steel        |



#### Spare Part List:

| No. | Part No. | Part                |
|-----|----------|---------------------|
| 1   | 3        | Main Valve Assembly |
| 2   | 4        | Air Vent Assembly   |
| 3   | 8        | Gaskets             |

#### Dimensions (mm):

| Size   | A    |      | B   | C   | D   | E   | F   | Approx. Weight (kg) |      |      |
|--------|------|------|-----|-----|-----|-----|-----|---------------------|------|------|
|        | #150 | #300 |     |     |     |     |     | SW                  | #150 | #300 |
| 1 1/2" | 314  | 320  | 300 | 125 | 251 | 138 | 147 | 17.5                | 28.5 | 30.6 |
| 2"     | 314  | 320  | 300 | 125 | 251 | 138 | 147 | 22                  | 29.2 | 30.7 |

